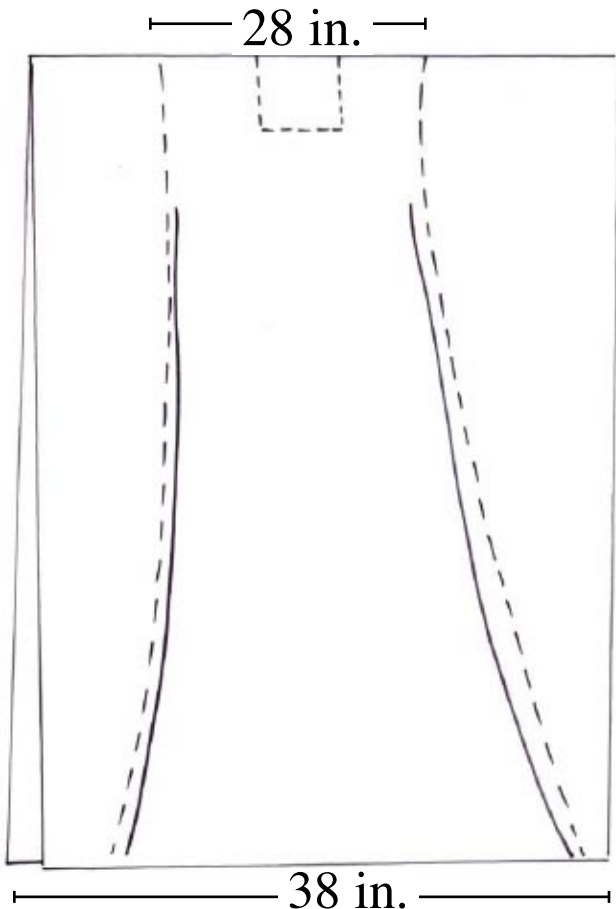
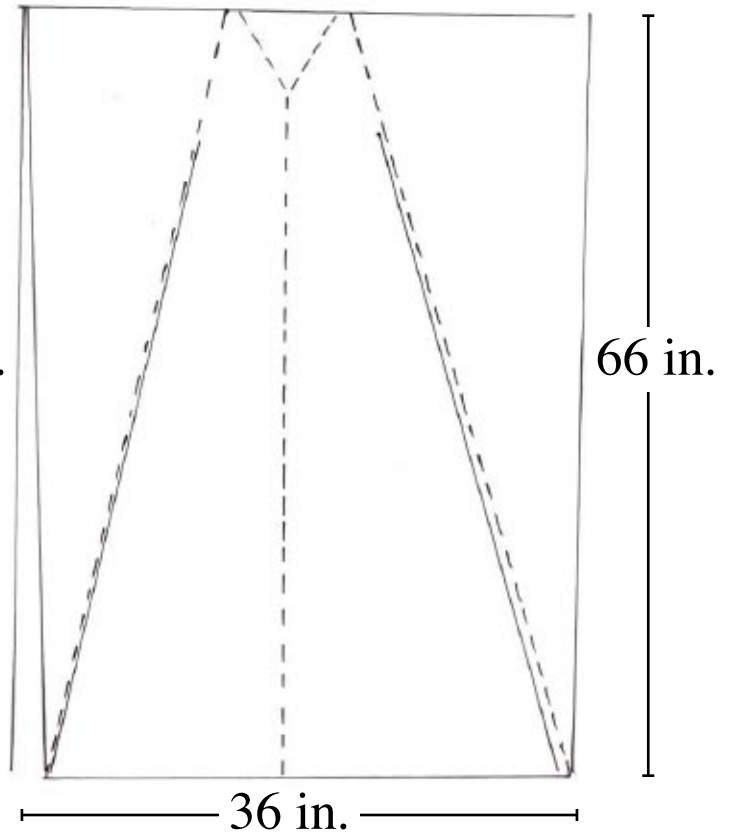


KING/QUEEN COSTUME

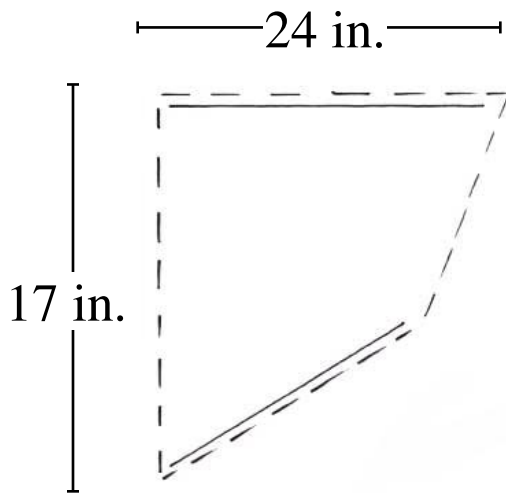




King/Queen Shift



King/Queen Robe



King/Queen Robe Sleeves

King/Queen Costume

Materials

about 4 yds. of red broadcloth and 2 yds. of yellow broadcloth (amount depends on size of person) found in store's quilting section

chalk

scissors

hot glue gun and glue sticks

fabric glue

gold cord

gold rick rack

ribbon

faux fur

For Robe:

1. For the robe, fold red broadcloth in half and trace pattern with chalk. This way, the pieces will be identical.
2. Cut out.
3. Using fabric glue, glue pieces together (chalk lines facing out) along edges. (Glue underneath chalk-lined material.)
4. Let all glue dry for 30 minutes.
5. Turn robe right side out.
6. Cut gold cord and glue to front of robe with a hot glue gun.
7. Cut faux fur and use hot glue to attach to robe's neckline, creating a collar effect.

For Sleeves:

1. Fold red broadcloth in half.
2. Draw chalk line of shapes and cut out.
3. Glue two pieces together (along solid line).
4. Let dry for 30 minutes and turn right side out.
5. Glue to robe.
6. Cut ribbon and glue to edge of sleeves with a hot glue gun.

For Shift:

1. Fold yellow broadcloth in half and trace pattern with chalk.
2. Cut out.
3. Using fabric glue, glue pieces together (chalk lines facing out) along edges.
4. Let dry for 30 minutes and turn shift right side out.
5. Glue ribbon along square neckline using fabric glue. Use gold rick rack to create a criss-cross for a jewel effect. Glue edges on gown using fabric glue.

*You can purchase crown at a party store, or use paper crown from hamburger franchise.